

DIY magnetic immersion cell



You need:

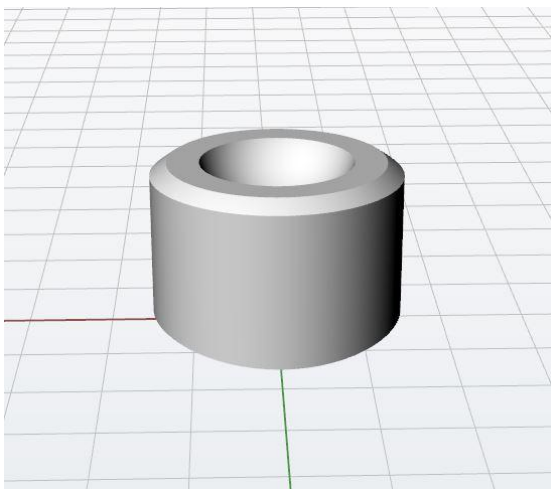
1. Round crystallizing dish with spout, diameter 80-90 mm, height 50 mm, can be bought here:

https://www.amazon.com/gp/product/B00JG2Z2NI/ref=oh_aui_detailpage_o00_s00?ie=UTF8&psc=1

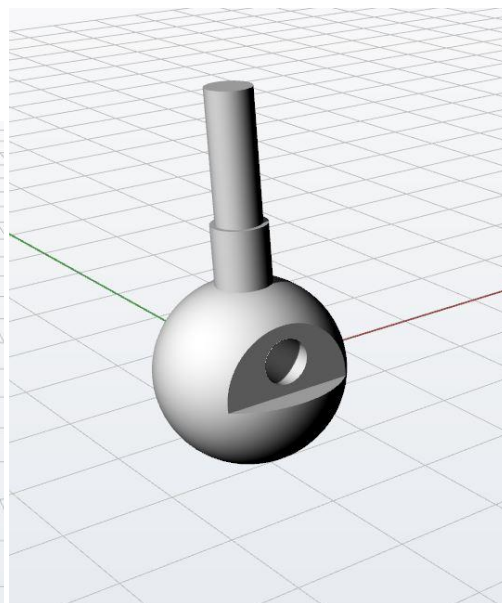
3. Strong Nd-magnet, diameter 15mm, height 8mm, can be bought here:

https://www.supermagnete.es/iman-es-disco-neodimio/disco-magnetico-diametro-15mm-alto-8mm-neodimio-n42-niquelado_S-15-08-N

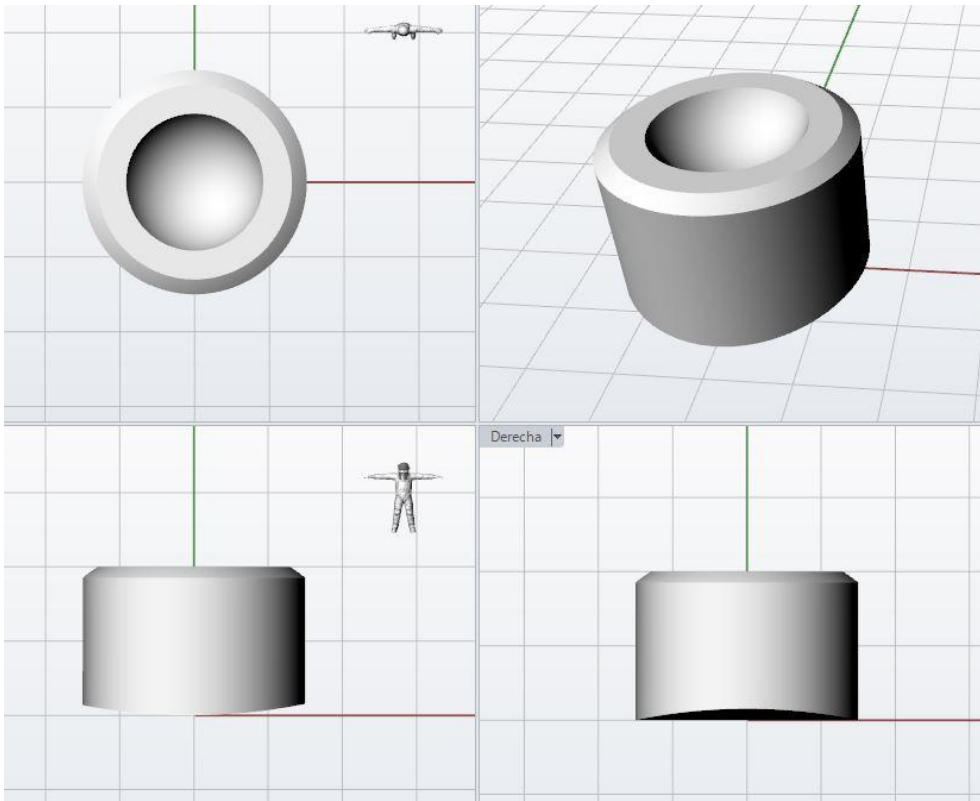
2. Two pieces made of steel, to make joint connection hold by magnet outside the cell.
Diameter of the part A 15 mm, height 10 mm, diameter of the sphere in part B 10 mm:



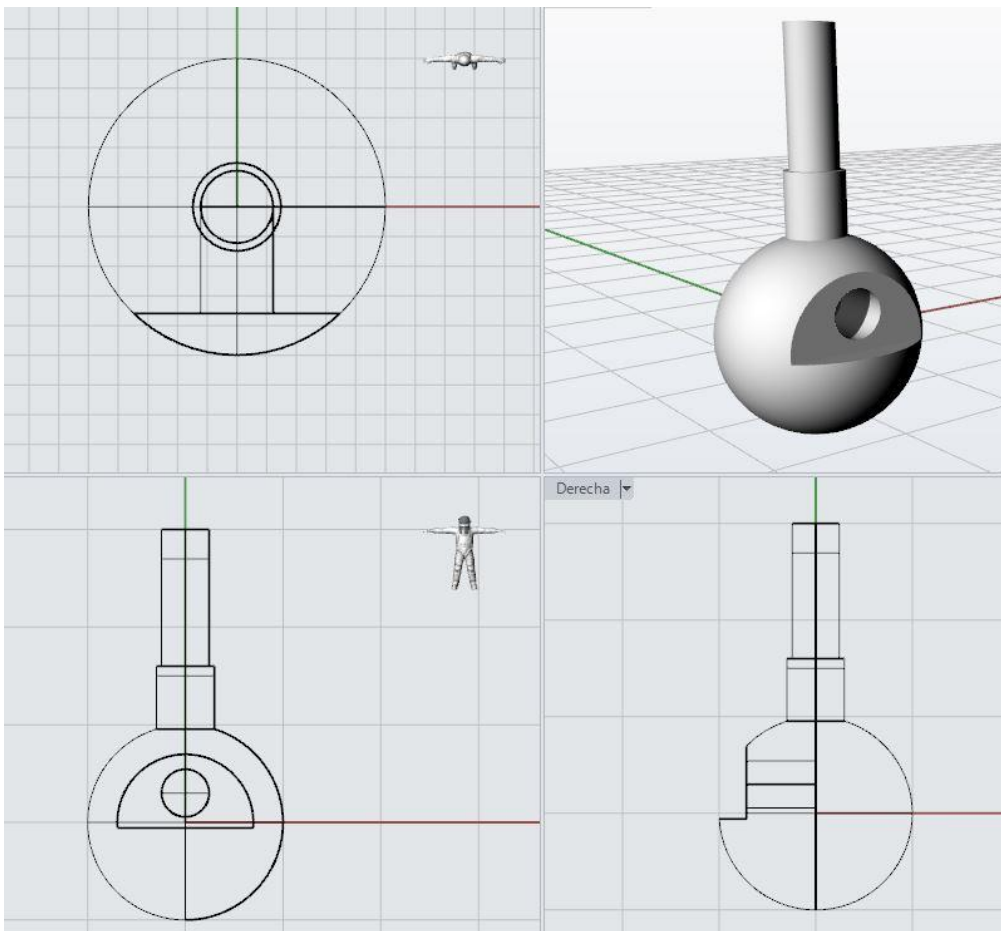
Part A



Part B



Part A



Part B

3. Gem holder for microscope



Elaboration:

- Remove the base, you don't need it. Dismount the "crocodile tweezers" from the stick and mount it on the end of the Part B. Ideally, it could rotate on it, so it shouldn't be soldered or glued.
- Bend the stick of the tweezers to 90° and fix it in the hole of the Part B.
- You are ready!

See video of its use here: <https://www.youtube.com/watch?v=QHaFk8raj4k>

More info: <http://gems-inclusions.com/inclusions-studies/photomicrography/>

Caution: Be very careful as many immersion liquids can be toxic and/or inflammable !!!



Flammable materials



Toxic